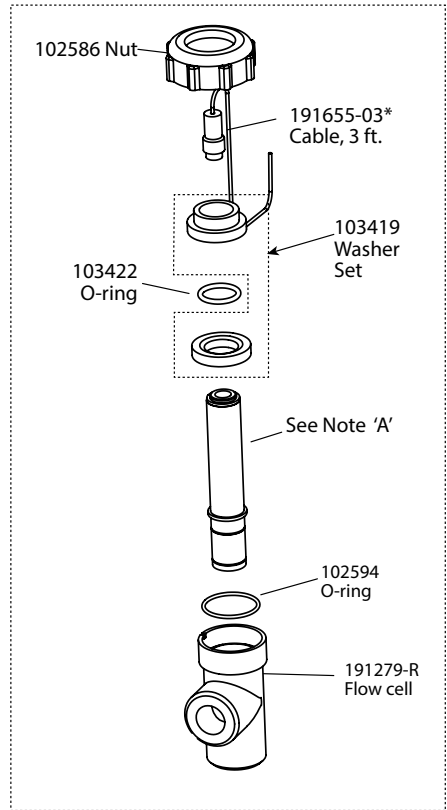


**NOTE A (Sold separately)**

- 191300 Free Chlorine, 0-20 ppm
- 191280 ClO<sub>2</sub>, 0-20 ppm
- 191320 Ozone, 0-20 ppm
- 191338 Peracetic acid, 0-2000 ppm
- 191445 Extended pH Range Chlorine, 0-20 ppm
- 104165 Total Chlorine, 0-20 ppm
- 191539 Hydrogen Peroxide, 0-2000 ppm
- Others available, contact factory

\* Use '-20' for 20 ft. cables



-INNNN has one

WDS Sensor option INNNN

**WDS Sensor Option INNNN**

INNNN: Single DIS flow cell/cable, no sensor (Order disinfection sensor(s) separately)